



WARN® ZEON™ 8-S

Advanced, capable, and strong

Don't let the good looks fool you. We've packed the ZEON 8-S winch with all the performance features off-roaders said they needed most. From a heat-dissipating brake down to an incredibly smooth planetary gear train, this winch is ready to hit the trail. The 8,000 lb. pulling capacity, combined with a fast line speed make this winch the perfect choice for Jeep and SUV trail rigs.

- 8,000 lb. (3630 kg) single-line pulling capacity
- Includes 100' of 3/8" WARN Spydura synthetic rope, which includes a temperature-resistant sleeve on the first layer, a ballistic nylon sliding sleeve for abrasion resistance, and a polished aluminum hawse fairlead.
- Convertible control pack can be attached to the winch or remotely mounted, allowing for various winch mounting options and looks (Relocation kit required and sold separately*).
- Satin-black powder-coated finish with stainless steel fasteners and clutch lever looks great and inhibits corrosion. Improved winch sealing to keep the elements out.
- Large diameter winch drum reduces rope wear, is light weight, and has an integrated rope anchor for easy rope installation.
- Backed by the WARN Limited Lifetime Warranty

*Control Pack Relocation Kit. Required to mount control box remotely from winch. PN 89970 (Short kit), PN 89960 (Long kit)

ZEON 8-S SPECS/PART NUMBER

Part number: 89670 (CE, for International sales only)

Rated line pull: 8000 lbs. (3630 kg) single-line

Motor: 12V DC, series wound

Electrical controls: Contactor

Remote Control: Remote switch, 12' (3.7m) lead

Geartrain: 3-stage planetary

Gear ratio: 162:1

Clutch (freespooling): Rotating ring gear

Brake: Automatic mechanical cone

Drum diameter/Length: 3.15"/9.0" (80mm/229mm)

Weight (kit shipping): 75 lbs. (34 kg)

Rope: 3/8" x 100' (9.5mm x 30.5m) Spydura synthetic

Fairlead: Hawse

Recommended Battery: 650 CCA minimum for winching

Battery leads: 25mm gauge, 72" (1.83m)

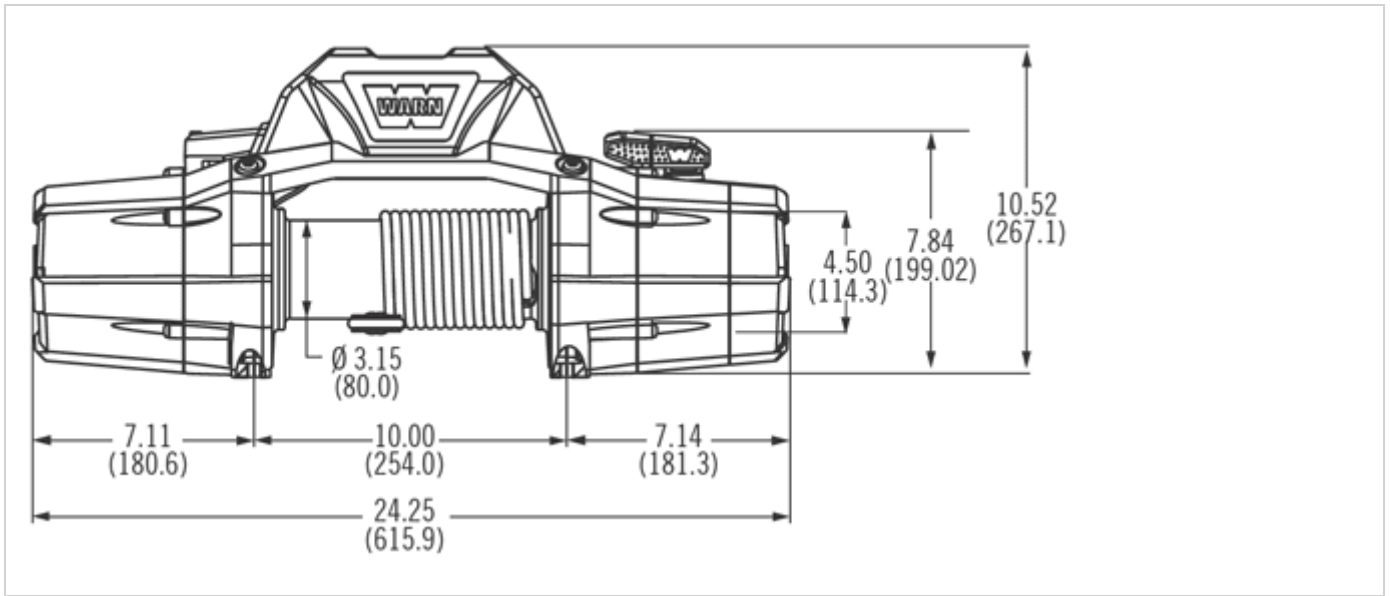
Finish: Satin-black powder coat

Warranty: Limited lifetime

12V DC PERFORMANCE SPECS

Line Pull Lbs.(Kgs.)	Line Speed FT./min(M/min.)	Motor Current	Pull by layer layer/Lbs(Kgs.)
0	42 (12.8)	63 amps	1/8000 (3629)
2000 (910)	17.2 (5.2)	167 amps	2/6777 (3074)
4000 (1810)	11.7 (3.6)	255 amps	3/5878 (2666)
6000 (2720)	8.5 (2.6)	335 amps	4/5189 (2353)
8000 (3630)	6.2 (1.9)	413 amps	

Above performance specs are based on first layer of drum



Winch Dimensions:

Integrated configuration: 24.25" L x 7.15" D x 10.52" H

(615.9mm L x 181.6mm D x 267.1mm H)

Low-profile configuration: 24.25" L x 7.15" D x 7.84" H

(615.9mm L x 181.6mm D x 199.02mm H)

Mounting Bolt Pattern: 10.0" x 4.5" (254mm x 114.3mm)