



**CONTROLLED**

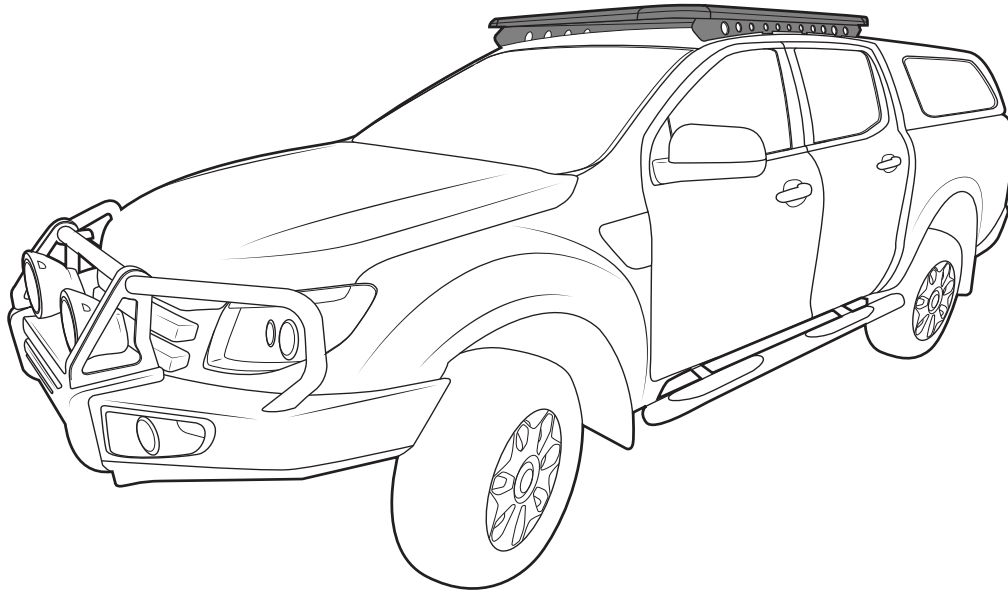
# RHINO-RACK

**Ford Ranger/ BT-50  
Backbone - RFRB1**

**BACKBONE**

**Important:** Please read these instructions carefully prior to installation. Please refer to your fitting instruction to ensure that the Backbone System is installed in the correct location. Check the contents of kit before commencing fitment and report any discrepancies. Place these instructions in the vehicle's glove box after installation is complete.

## Layout



**Maximum load carrying capacity: 100kg / 220lbs**

## Important Information

1.  Check Part No./Kit is correct                      3.  Fit roof rack accessory
2.  Read through instruction before installing      4.  Check and recheck all fasteners are secure

**Maximum carrying capacity:** 100kg (220lbs) including the weight of the rack system 25kg (55lbs). **Static Load Rating: 320kg/ 700lbs**  
Please refer to your vehicle manufacturers handbook for maximum carrying capacity. Always use the lower of the two figures. Load must be evenly distributed over the entire basket.

**Warning:** Do not attempt to fit the rack system to your vehicle unless you fully understand these fitting instructions. Please direct any questions regarding fitting to the dealer from where the roof racks were purchased.

**Use only non-stretch fastening ropes or straps.**

**Recommendations:** It is essential that all bolt connections be checked after driving a short distance when you first install your roof racks. Bolt connections should be checked again at regular intervals (once a week is enough, depending on road conditions, usage, loads and distances travelled). You should also check the roof racks each time they are re-fitted. Always make sure to fasten your load securely. Please also ensure that all loads are evenly distributed and that the centre of gravity is kept as low as possible and must be entirely contained within the extents of the roof racks.

**Rack System must be removed when putting vehicle through an automatic car wash.**

**Caution:** The handling characteristics of the vehicle changes when you transport a load on the roof. For safety reasons we recommend you exercise extreme care when transporting wind-resistant loads. Special consideration must be taken into account when cornering and braking.

### Off-road use:

The Backbone Rack System may be used in off road applications, however a safety factor of 1.5 is enforced. That is, maximum permissible off road load is 66kg (145lbs). Although the crossbars are tested and approved to AS1235-2000/ 15011154, off-road conditions can be much more rigorous. Extreme care must be taken in off road conditions

### Note for Dealers and Fitters:

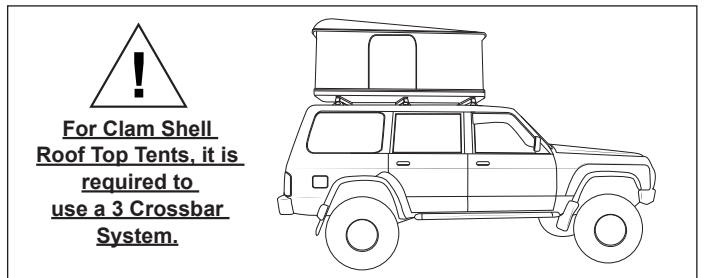
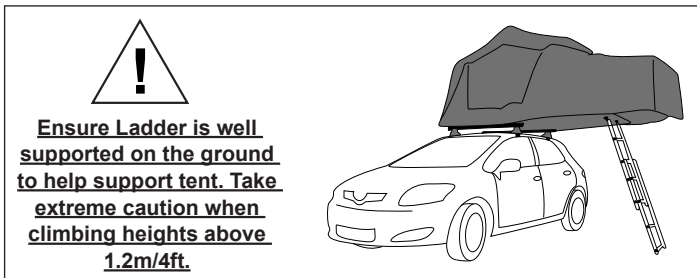
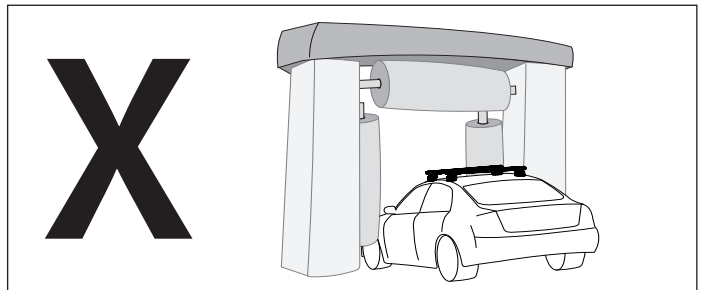
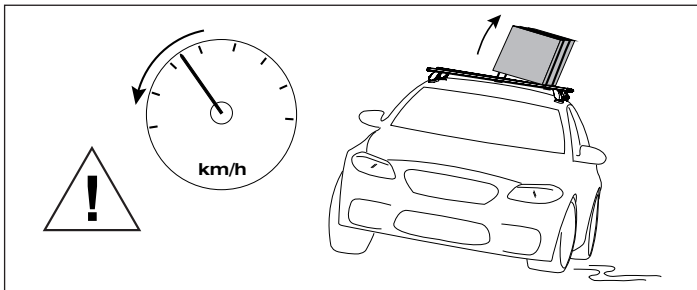
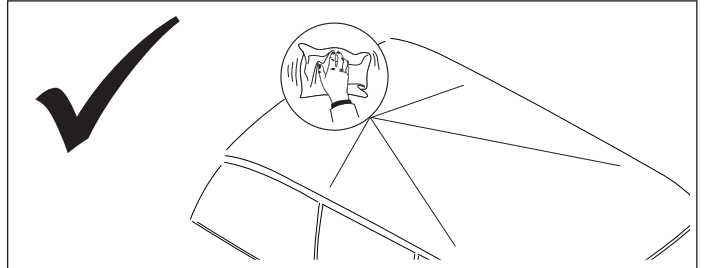
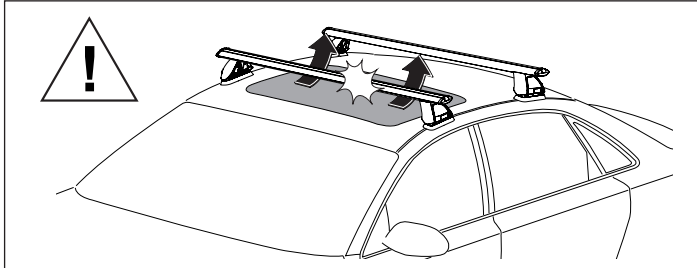
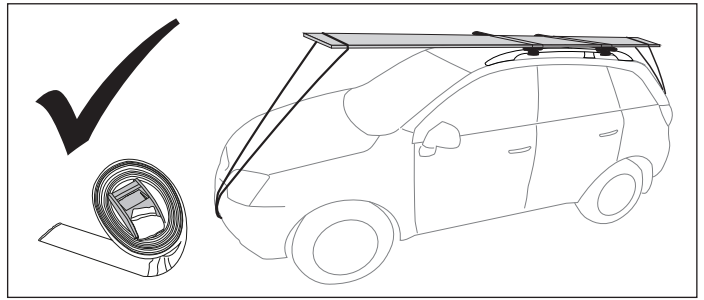
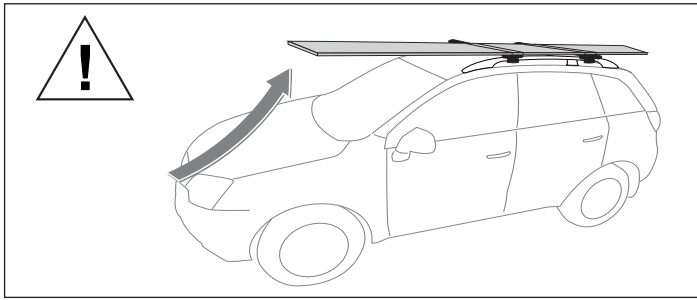
It is your responsibility to ensure these fitting instructions are given to the end user or client.

Rhino-Rack 3 Pike Street, Rydalmere,  
NSW 2116, Australia.  
(Ph) (02) 9638 4744  
(Fax) (02) 9638 4822

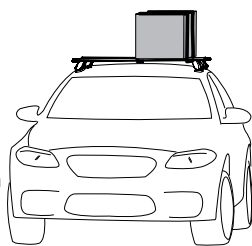
Document No: R1071  
Prepared By: Will Davis  
Authorised By: Chris Murty

Fit Time: 1.5 hours  
Issue No: 02  
Issue Date: 07/09/2016

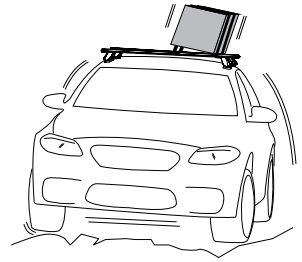
These instructions remain the property of Rhino-Rack Australia Pty. Ltd. and may not be used or changed for any other purpose than intended.



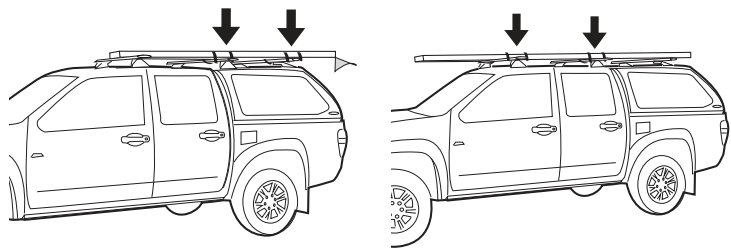
When these roof racks are to be used on a vehicle that is driven off sealed roads, the manufacturer maximum roof load rating (to be found in the vehicles User Manual) should be **divided by 1.5**. Do not forget to subtract the complete crossbar system weight from your maximum carrying capacity.



**100kg/220lbs (Urban Road) = 67kg/147lbs (Off Road)**



**WARNING! Important Load Carrying Instructions**  
With utility vehicles, the cabin and the canopy move independently. Roof racks and vehicle can be damaged if the item transported is rigidly fixed at points on both the cabin and canopy. Instead, rigidly fix to either the cabin roof racks or the canopy roof racks.



Paddle/ Surfboards should be fixed to the front of the vehicle.

**YES**



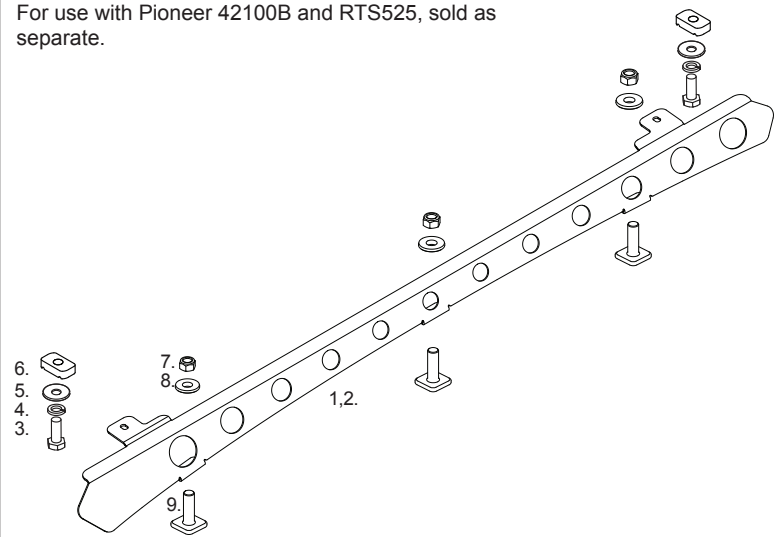
### Parts List

| Item | RIDB1                   | Qty | Part No. |
|------|-------------------------|-----|----------|
| 1    | Ranger/BT50 Backbone LH | 1   | CA1610   |
| 2    | Ranger/BT50 Backbone RH | 1   | CA1609   |
| 3    | M8x25mm Hex Setscrew    | 4   | B169     |
| 4    | M8 Spring Washer        | 4   | W019     |
| 5    | M8x19x2.5 Flat Washer   | 4   | W043     |
| 6    | M8 Channel Nut          | 4   | N003     |
| 7    | M6 Nyloc Nut            | 6   | N069     |
| 8    | M6x16mm Flat Washer     | 6   | W031     |
| 9    | M6 x 16mm T - Bolt      | 6   | B014     |
| 10   | Instructions            | 1   | R1071    |

**Tools Required:**

1. 13mm Socket Wrench
2. 10mm Spanner

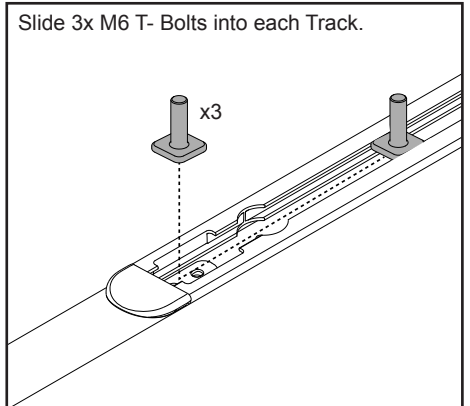
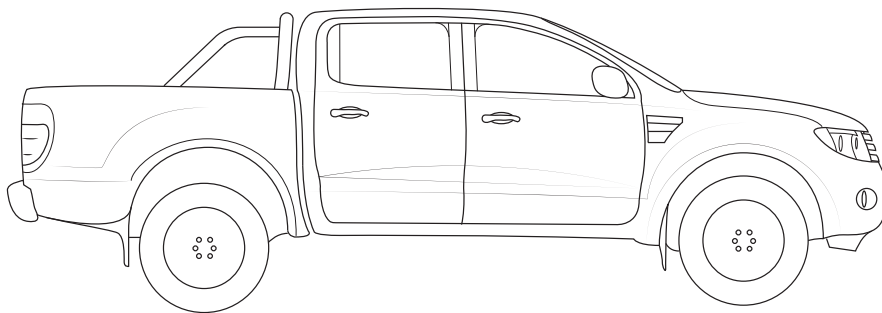
For use with Pioneer 42100B and RTS525, sold as separate.



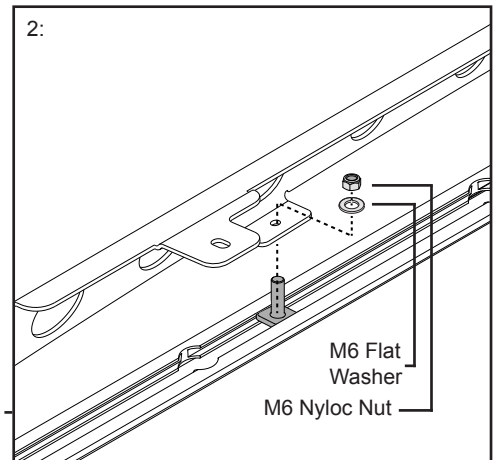
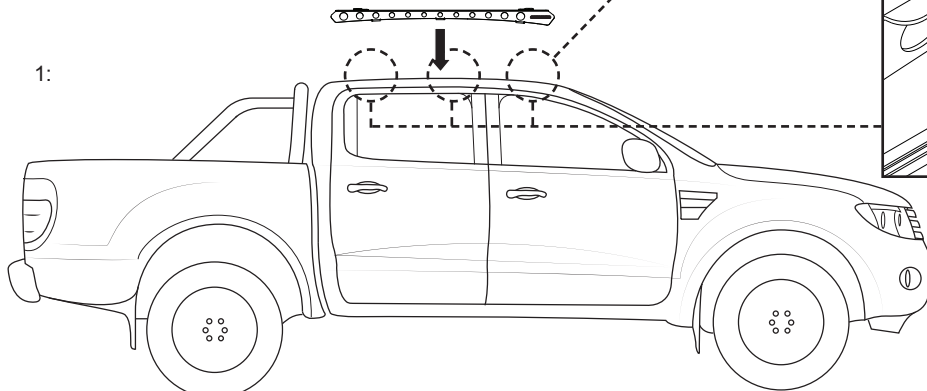
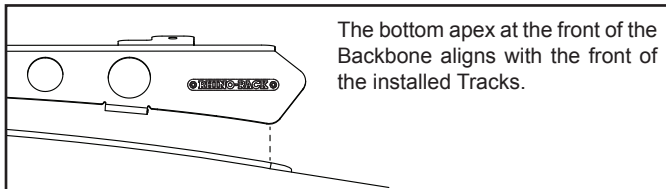
Left Side Pictured

### Instructions

**1** Move to the rear of the installed Tracks. Slide 3x M6 Square Nuts into each Track.



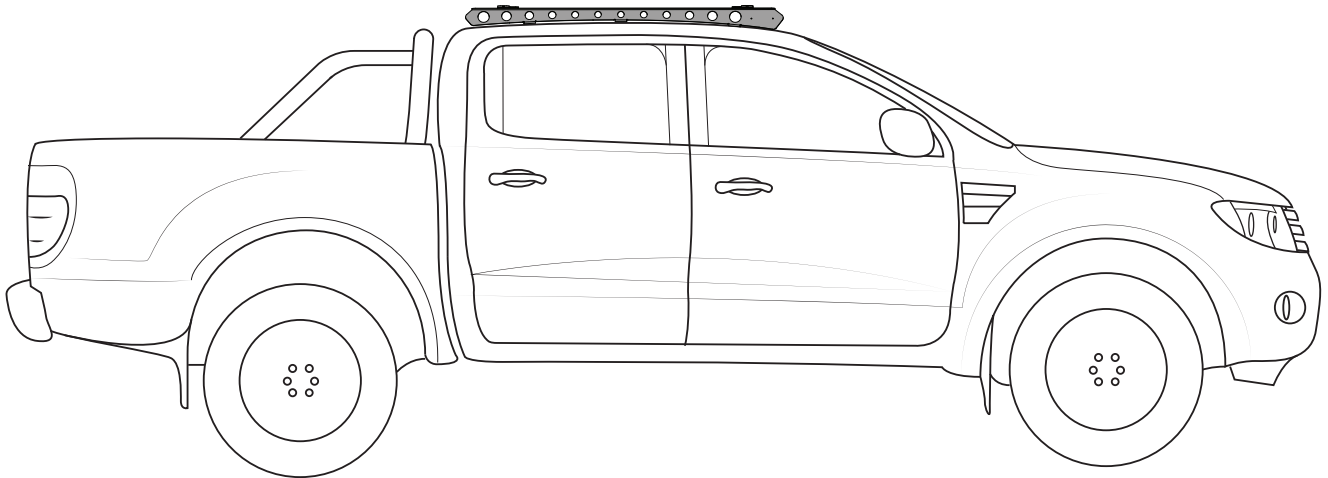
**2** 1: Place the Backbone onto the Track. It is advised to complete this and the following steps with assistance. 2: Fix in place with M6 x Flat Washer and M6 Nyloc Nut. Use 10mm Spanner to tighten Nyloc Nut



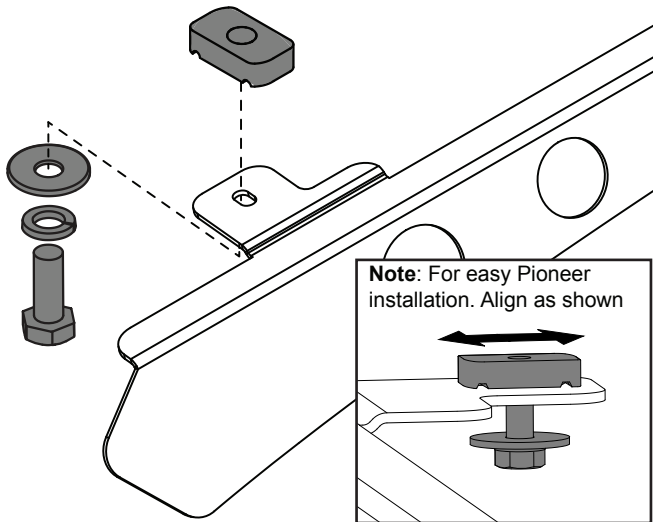


**3** Repeat previous steps for securing opposite side Backbone rail.

Ensure both Assemblies are securely positioned on the car. Check each bolt before proceeding to attaching the Pioneer Platform to the Backbone.

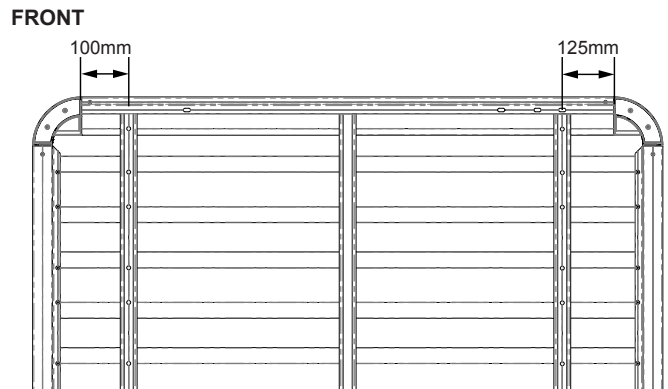


**4** Assemble M8 hardware as pictured below. Complete this for the six tabs on top of the backbone rails (2 each rail).

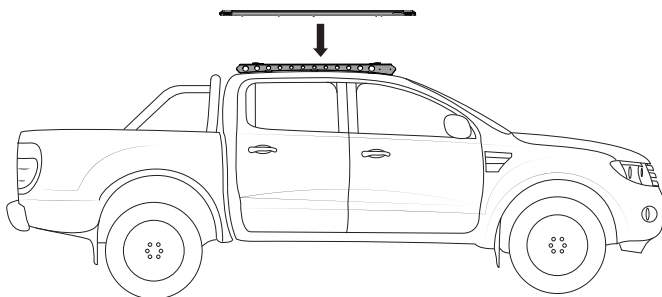


**5** Install Pioneer Underbars with slots indicated (42100  
**REAR:** 125mm from Rear (using slots)  
**FRONT:** 100mm from Front (drill)

The rear slot will have to be drilled with an 8.5mm drill bit. For detailed underbar installation instructions, refer to Pioneer fitting instructions.



**6** After underbars have been correctly fitted, place the Pioneer Platform on top of the Backbone. Align the underbars with the top tabs and ensure the M8 hardware fits into underbar channel.



**7** Once Pioneer Underbars have been aligned properly, tighten all M8 hardware using 13mm socket wrench or 13mm spanner. Ensure channel nut has rotated within Pioneer underbar and is fixing Pioneer securely.

